

# RSB-P Pouch Bagger

The RSB-P Pouch Bagger is a rollstock poly bagger capable of producing pouches from a pre-made roll. It can be equipped with a vertical sealer.

Bags are filled through the open/close fill opening. While filling, bags are held by a supporting belt to fill with product gently. The filled bags are closed by a horizontal sealing unit, or by an alternative closing unit. The RSB-P Pouch Bagger is capable of packing up to 20 pound bags and can pack at rates up to 20 bags per minute. This machine allows packing facilities to move away from costly and labor intensive pouch filling to affordable, high speed automation.



## FEATURES

- Constructed according to CE specifications and comes with integrated safety switches in the doors
- Single filling hole that can be used for different diameters
- Narrow discharge belt for small filling holes
- Easy height adjustment for longer bags
- Left and right-hand versions to fit layout
- Easy access for service and maintenance
- User-friendly program allows operators to create many set-ups with ease
- Clear doors all around machine for both safety and easy viewing of internal parts of machine
- Optional router for remote assistance

## ADDITIONAL OPTIONS

- Available in stainless steel
- Open/Close filling hole to create a large fill opening and prevent blockages
- Vibrating hopper to prevent blockages in the hopper
- Vibrating Motor in Support Belt

## PARTNER OPTIONS

- M8
- M10
- M10 Ca
- M10 XL
- MD12
- M12 V
- M12i V
- M12 Ca
- M14 SF
- MD14 XL
- MD16
- MD16 D
- MD 20 D
- M2 XXL
- M2i V
- BW2



Patent Pending

## PACKAGE SIZE RANGE

- 1 to 20 pounds

## CAPACITY / RATE

- 1.5 pounds up to 30 pouch per minute\*

## AIR CONSUMPTION

9 CFM\*\*

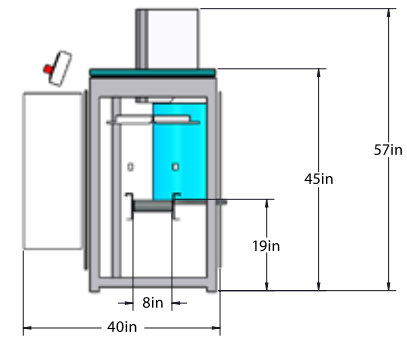
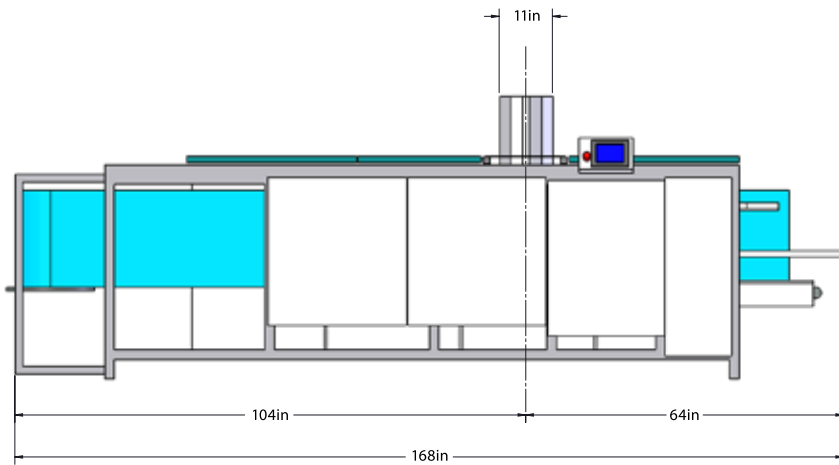
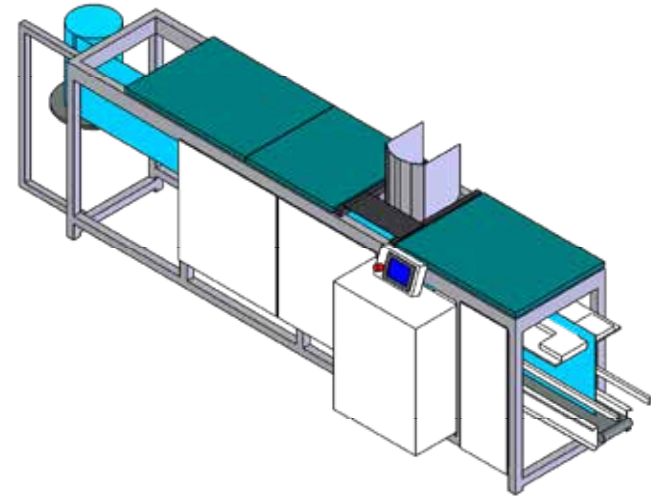
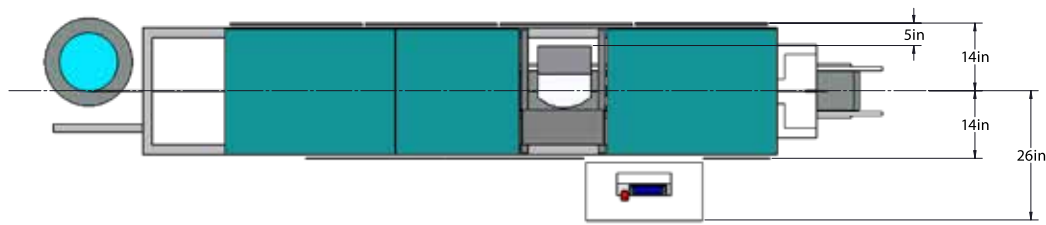
## POWER

230 Volt, a 3 Phase and Ground

\* Depends on product, infeed, and discharge system.

\*\* Actual air consumption will increase based on discharge system(s) chosen.

# RSB-P Pouch Bagger



Measurements are rounded off to the nearest inch.