

Your Custom Packaging Solutions Partner

FROZEN FOOD



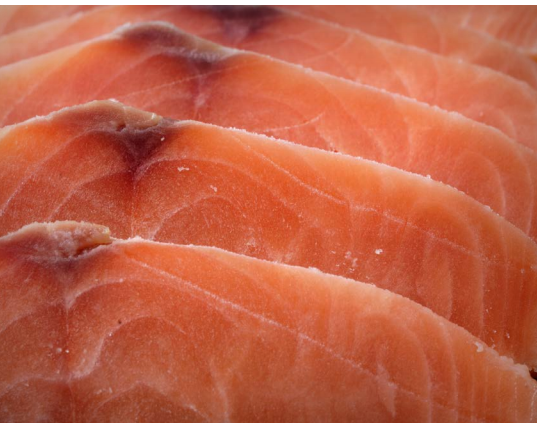
M12i Fr

The M12i Fr stainless steel weigher is designed with individually quick frozen meats, fish & vegetables in mind. It is equipped with easy to remove V-shaped buckets that are designed for fast cleaning and less down time. The M12i Fr is optimized for high capacity with small weights. The M12i Fr has different discharge systems available and custom discharge options can be tailored for specific product filling needs.



MOST COMMON PRODUCTS

- Frozen Meat
- Frozen Fish
- Frozen Vegetables
- Sliced Onions, Potatoes & Vegetables



ENGINEERING | EQUIPMENT | PACKAGING



M12i Fr Features

- 12 V-shaped bucket scales to weigh a variety of products and handle them gently
- High speed computer scans the weights available in all 12 buckets and chooses the best combination to provide the most accurate weight
- Strong, stable stainless steel construction with vibration isolation
- Touchscreen computer
- Two computers for performing diagnostics or maintenance while also operating the weigher
- Operators can save packing styles in a user-friendly program for quick and easy changeovers
- Standard machine gateway for remote assistance
- IP65 rated enclosures allow for safe machine washing

TECHNICAL SPECIFICATIONS

DIMENSIONS

L 113 in x W 106 in
x H 128 in

Measurements rounded up to the nearest inch

PACKAGE SIZE RANGE

1 to 20 pounds

AIR CONSUMPTION

6 CFM

Actual air consumption will increase based on discharge system(s) chosen

POWER

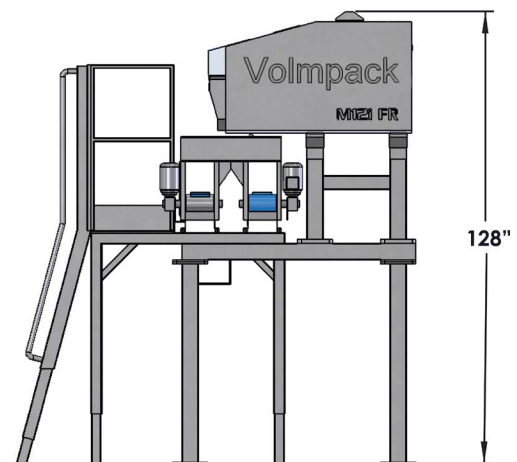
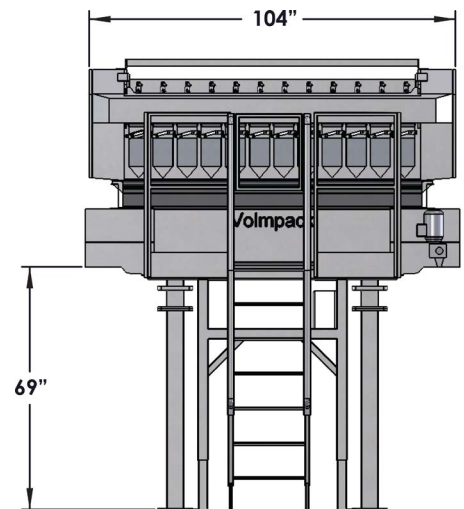
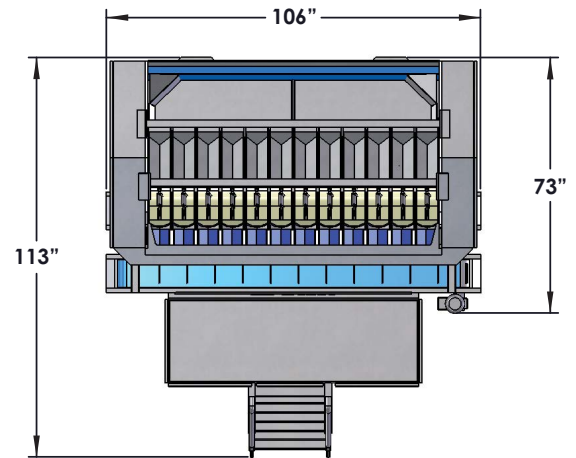
230 Volt, 3 Phase
and Ground

DISCHARGE OPTIONS

- Single Discharge Belt
- Dual Discharge Belt

PARTNER OPTIONS

- Vertical Form, Fill, & Seal
- Clamshell/Tray Filler



CONNECT WITH US