

Carton Filler

The Volmpack Carton Filler provides a fully automatic solution for the filling of fresh produce into cartons, trays and RPC's. The Carton Filler can fill from as little as 10 pounds and up to 50 pounds of product, offering an excellent option for bulk packing and shipping of product. The Carton Filler is offered in two versions, Standard and Soft Fill. While the standard is excellent for most hearty produce types like potatoes, the Soft Fill version provides a lower drop to prevent bruising and damage to more sensitive produce.

The Carton Filler can also be configured as a dual filling system, ideal for high production packing facilities or for those producing a variety of packaging styles.



FEATURES

- Strong, Stable Construction for dependability
- Low drop on Soft Fill version provides gentle product handling
- Many features and options are available depending on application
- Left and right-hand versions to fit layout
- Easy access for service and maintenance

PARTNER OPTIONS

- M8
- M10
- M10 XL
- MD12
- MD14 XL
- MD16
- MD20
- M2 XXL
- Bulk Weigher

PACKAGE SIZE RANGE

10 to 50 pounds

PACKAGE DIMENSIONS

Min. 11.8" (300mm)W x 15.7"(400mm)H
Max. 15.7" (400mm)W x 23.6"(600mm)H

CAPACITY / RATE

- 10 pounds up to 20 cartons per minute*
- 20 pounds up to 16 cartons per minute*
- 50 pounds up to 14 cartons per minute*

AIR CONSUMPTION

11 CFM**

POWER

230 Volt, 3 phase and ground

MOST COMMON PRODUCTS

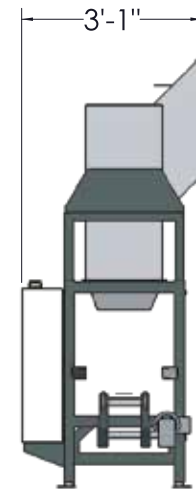
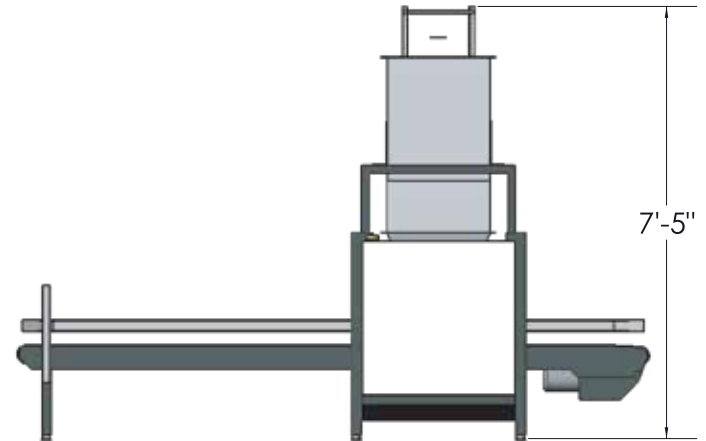
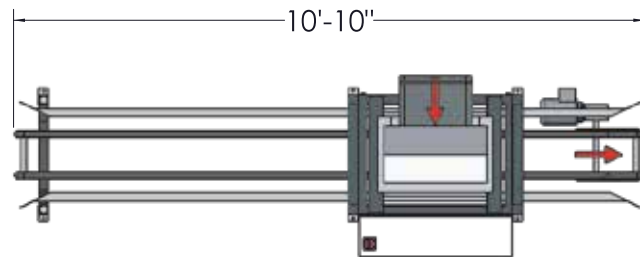
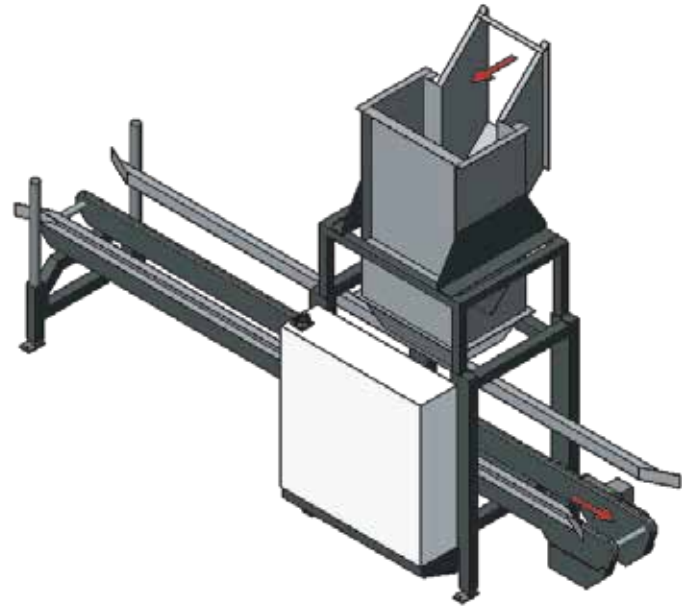
- Potatoes
- Onions
- Citrus Fruits
- Turnips

Custom testing available for any product.

* Depends on product, infeed, and discharge system.

** Actual air consumption will increase based on discharge system(s) chosen.

Carton Filler



Measurements are rounded off to the nearest inch.