

## M10

The M10 is the second smallest, high speed, Volmpack weigher. The 10 weighing buckets allow the M10 to be faster and more accurate than the M8 weigher while maintaining a small footprint and low cost. The M10 also offers a packing range from 1 to 50 pounds at rates up to 45 bags per minute.



### FEATURES

- 10 wide bucket scales to weigh a variety of produce types
- High speed computer scans the weights available in all 10 buckets and chooses the best combination to provide the most accurate weight
- Strong, stable frame with vibration isolation
- Touchscreen computer
- Two computers for performing diagnostics or maintenance while also operating the weigher
- Operators can save packing styles in a user-friendly program for quick and easy changeovers
- Optional belts available versus vibrating lanes
- Optional router for remote assistance
- All product contact points are either stainless steel or plastic

### DISCHARGE OPTIONS

- Single Discharge Belt
- Center Discharge Belt
- Double Discharge Belt
- Combination Bucket

### PARTNER OPTIONS

- Single Wicket Bagger
- Dual Wicket Bagger
- Carousel
- Clipper
- SemiPack
- AutoPack / AutoPack HS
- Pouch Bagger
- Rollstock Pouch Bagger
- Rollstock Poly Bagger
- Auto Mesh
- Auto Mesh Plus
- DLM Clamshell
- Carton Filler
- Vertical Form, Fill & Seal

### PACKAGE SIZE RANGE

1 to 50 pounds

### CAPACITY / RATE

- 1 to 2 pounds up to 45 bags per minute\*
- 5 pounds up to 35 bags per minute\*
- 10 pounds up to 30 bags per minute\*
- 20 pounds up to 20 bags per minute\*
- 50 pounds up to 10 bags per minute\*

### AIR CONSUMPTION

5 CFM\*\*

### POWER

230 Volt, 3 Phase and Ground

### MOST COMMON PRODUCTS

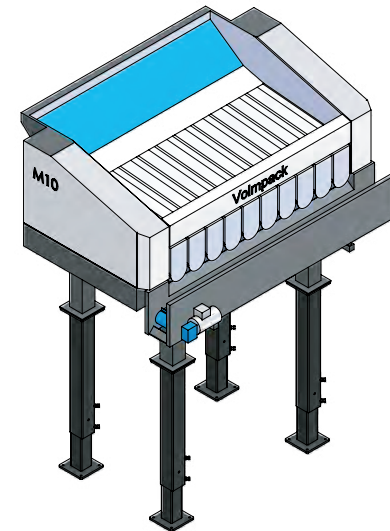
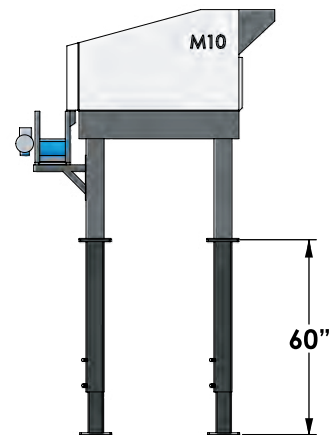
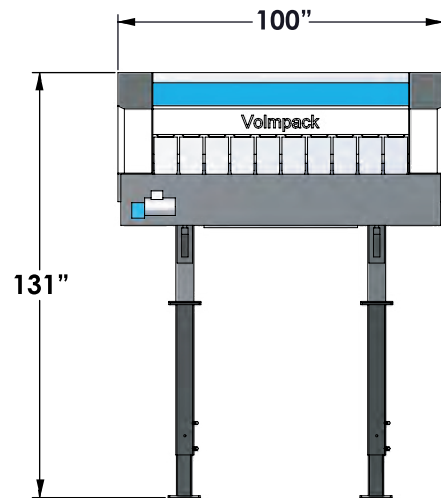
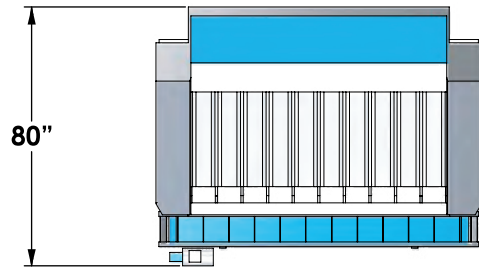
- Potatoes
- Onions
- Citrus Fruits
- Brussels Sprouts

Custom testing available for any product.

\* Depends on product, infeed, and discharge system.

\*\* Actual air consumption will increase based on discharge system(s) chosen.

# M10



Measurements are rounded off to the nearest inch.