

VT 500

Intermittent Vertical Form, Fill & Seal Machine

The Volmpack VT 500 is an entry-level VFFS bagging machine with a small size and low height. It is capable of achieving high packaging performance thanks to its reduced product drop and servo-driven sealing jaw. Additionally, it features an easy communication system with most Volmpack weighers.



FEATURES

- Compact footprint
- Low product drop
- Easiness of use
- Lowest cost of ownership and lowest cost per pack
- Medium-high speed range applications
- Fast change-over

ADDITIONAL OPTIONS

- Electrical cabinet placement right or left-handed or remotely
- Stainless steel construction
- Rotating bag perforate
- Thermal printer
- Gusset/ block bottom unit

BAG STYLES

- Pillow
- Gusset
- Block Bottom

PARTNER OPTIONS

- M8
- M10
- M10i D
- M10i Ds
- MD12
- M12 V
- M12i FR
- M12i V
- MD16
- MD20

PACKAGE SIZE RANGE

- ½ to 3 pounds

PACKAGE DIMENSION

- Max 11.8"w x13"h (280w x330h mm)

CAPACITY / RATE

- 1½ pounds up to 50 packages per minute*

AIR CONSUMPTION

- 8 CFM**

POWER

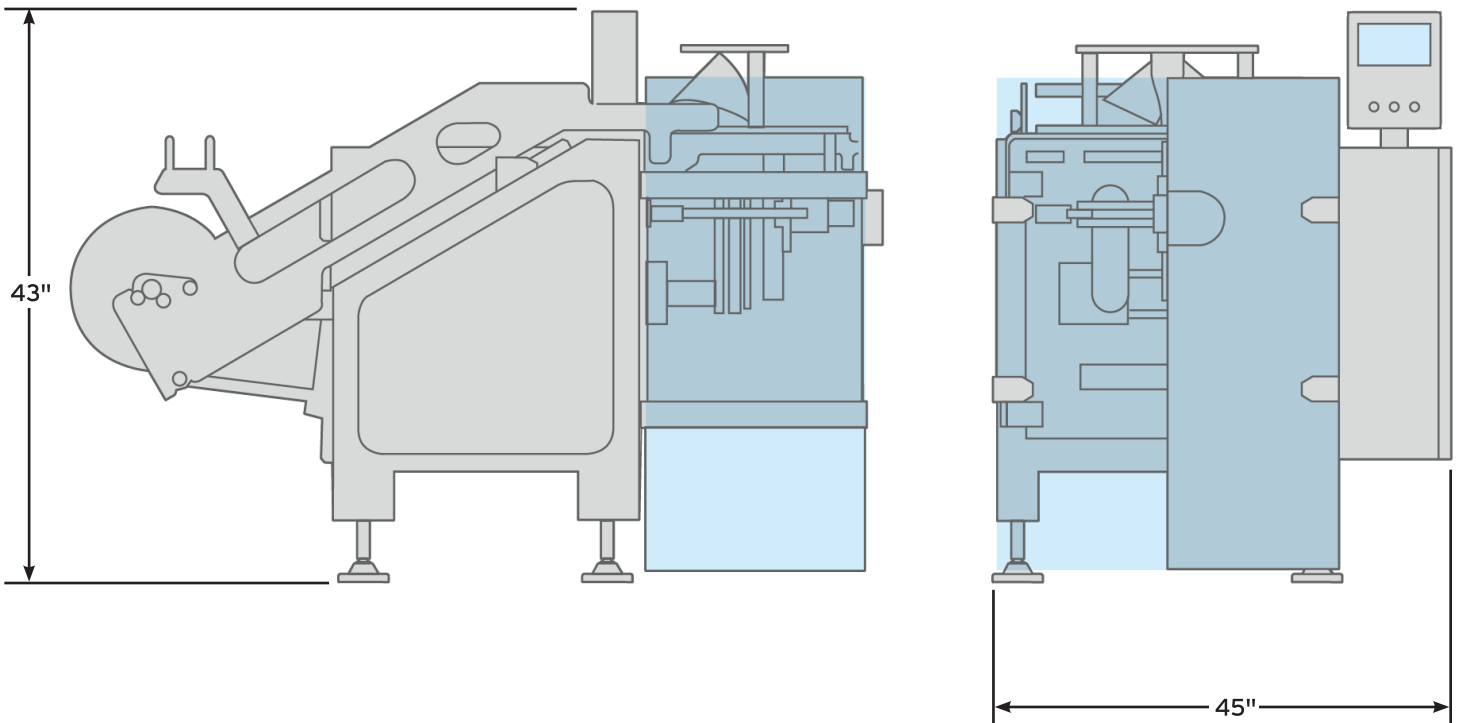
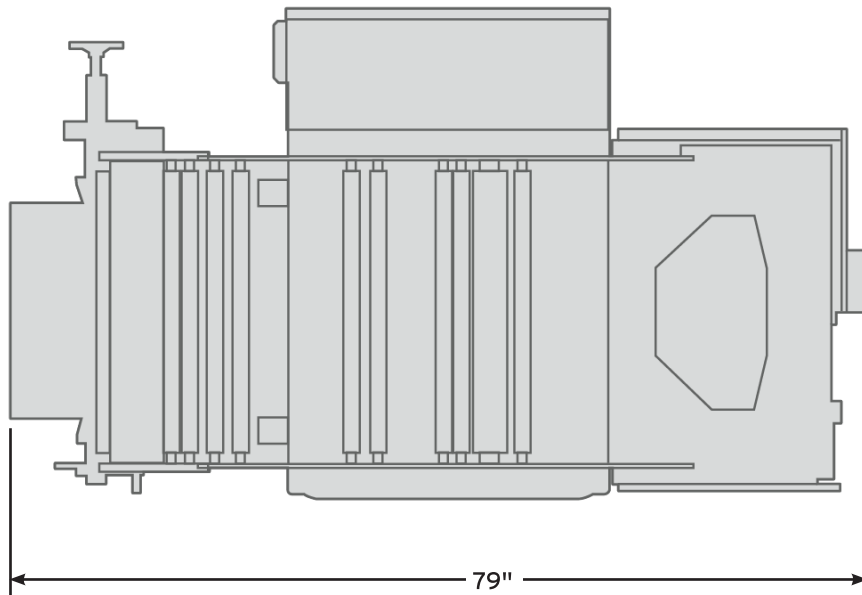
- 230 Volt, 3 phase and ground

MOST COMMON PRODUCTS

- Potatoes
- Citrus Fruit
- Garlic & Shallots
- Onions
- Green Beans
- Brussels Sprouts
- *Custom testing is available for any product.*

VT 500

Intermittent Vertical Form, Fill & Seal Machine



* Depends on product, infeed and discharge system.
** Actual air consumption will increase based on the chosen discharge system(s).
Measurements are rounded off to the nearest inch.